

# Battery Operated Cylindrical Keypad Locks



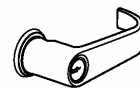
**TA-5221**

The TA-5221 is a grade 1 cylindrical keypad lock. No wires need to be run to the door as all power is supplied by 4 AA batteries which typically give years of use before they require replacement. All programming takes place through the keypad and each lock can be operated by up to 120 user codes.

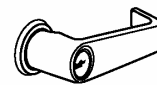
## Features:

- Non-volatile eeprom memory allows in-shop programming
- One non-handed unit for both indoor and outdoor applications
- Programs the same as TAC “onboard control” keypads
- Durable alphanumeric Braille keys
- Passage/Toggle codes allow door to remain unlocked
- Service codes allow one-time entry then are deleted automatically
- Error Lockout for successive invalid entry attempts
- Two Stage Low Battery Alert assures entry
- Propped Door and Forced Door alerts when used with a standard magnetic switch
- Request to Exit allows door to be unlocked from a distance
- Four standard AA batteries provide up to 150,000 operations.

## Lever Designs



**-CR**



**-AM**



360 Carlingview Dr.  
Toronto, Ontario  
Canada, M9W 5X9  
Tel: (416) 798-0611  
Fax: (416) 798-1349  
www.kmthomas.com

Distributed by:

## Specifications:

### General:

UL listed 3 hour fire rating

**Housing:** Heavy-duty solid die cast zinc housing with spring loaded roses

**Lever:** Solid Cast

**Lock Body:** Grade 1 cylindrical lockset w/clutch mechanism

**Backset:** 2-3/4" Standard

**Latch:** 9/16" Throw, Stainless Steel latch retractor

**Latch Front:** 2-1/4" x 1-1/8"

**Strike:** ANSI 4-7/8" ASA strike

**Door Thickness:** 1-5/8" to 1-7/8", ANSI 115.8 door prep plus additional 3/4" conduit hole

**Handing:** Non-handed trim

**Cylinder:** Solid Brass Schlage "C", 6 pin, 2 Nickel-Silver keys

**Finish:** US26D Brushed Chrome (626) standard

### Weather Resistance

**Electronics:** UV cured conformal coating

**Wires:** Raceway joins exterior and interior housings

**Gaskets:** Neoprene gasket seals exterior housing to the door

### Electrical/Environmental

**Power Supply:** 4AA Alkaline Batteries Up to 150,000 cycles (uses) -20F to 120F up to 98% humidity (non-condensing)

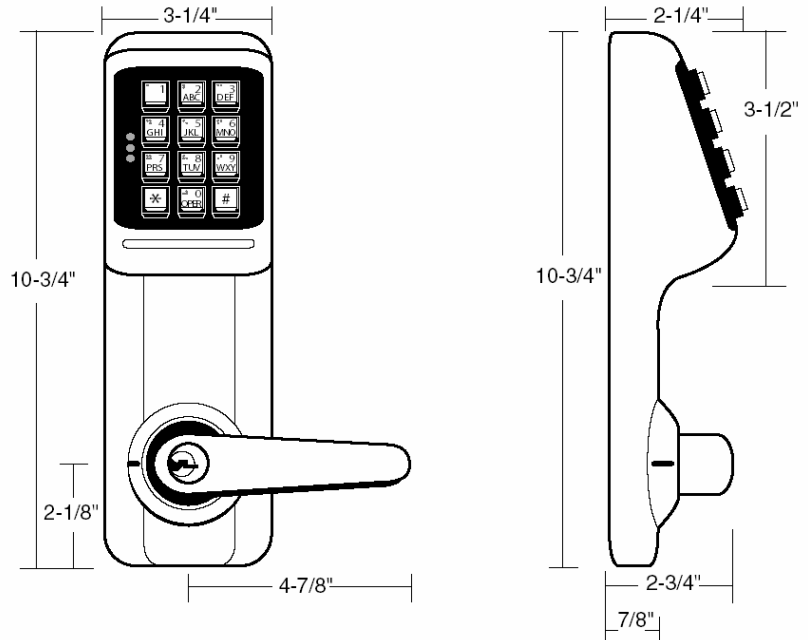
### Compliance

ANSI 156.2, Series 4000 Grade 1 Meets Federal Handicap and ANSI A117.1 Accessibility Code

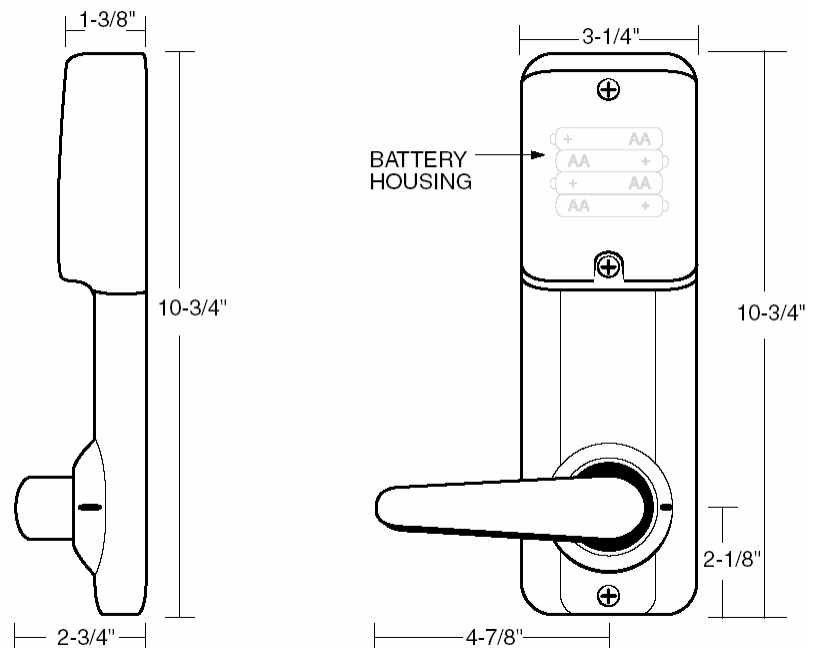
**Federal:** Meets FF-H-106C

**California:** (formally Title 19, California State Fire Marshal) Crescent Handle return to within 1/2" of the door face.

## OUT-



## INSIDE



360 Carlingview Dr.  
Toronto, Ontario  
Canada, M9W 5X9  
Tel: (416) 798-0611  
Fax: (416) 798-1349  
www.kmthomas.com

Distributed by: