

BIOMETRICS



PROXIMITY TECHNOLOGY



**C
C
T
V**



2004 PRODUCT CATALOG



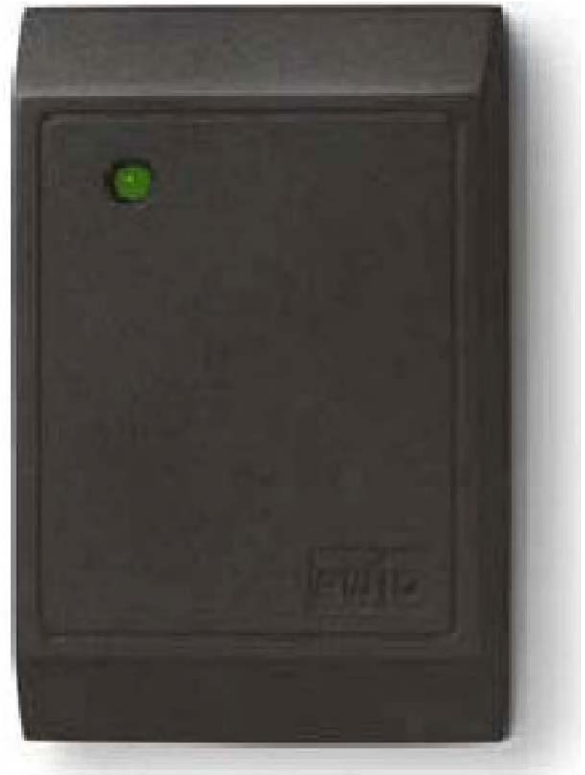
DATA MANAGEMENT SOFTWARE

WWW.THOMASACCESSCONTROL.COM

The TA-1114, ideally suited for applications where a discriminating look makes a difference. An attractive package which looks great outside the Board Room or at the front gate in the rain or snow.

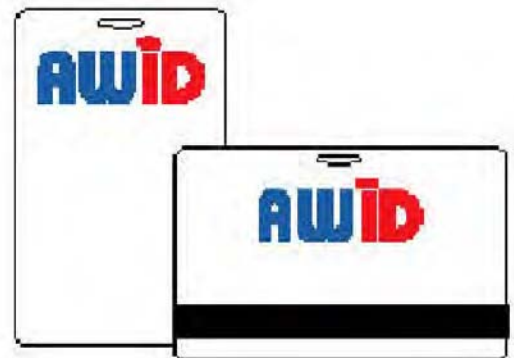
The TA-1114 proximity reader from AWID offers a stylish look and a superior read range of 6-8 inches. It is designed to mount on a standard-single-gang electric wall box or on the surface of an interior or exterior wall. TA-1114 comes in dark gray or beige and is sure to blend in with the architectural design of any building. It is easily installed and the two piece construction allows switching of covers to accommodate color changes.

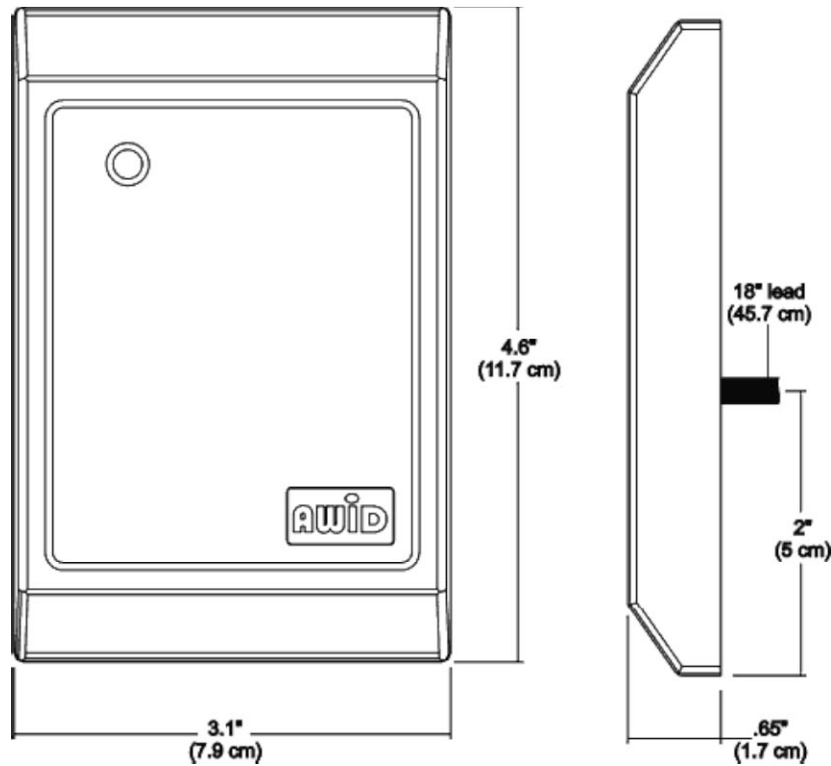
The Switch Plate proximity reader outputs Wiegand or RS232 formats and is compatible with all access control systems. The electronics is potted with UL-approved potting compound which protects the reader from harsh environmental conditions. It is manufactured in an ISO 9000 certified facility providing for the highest quality standard. The SP is highly reliable, warranted for life and capable of providing the best read range in its class.



Features

- Read range of 6-8 inches
- Electronics potted with epoxy compound for weather resistance
- LED for visual feedback, Piezo for audio feedback
- Industry standard Wiegand or RS-232 output
- Proximity technology, no contact required
- Attractive high-tech look enclosure
- Indoor and outdoor application





Specifications

- | | |
|---|---|
| <ul style="list-style-type: none"> • Read Range:
6-8" (15.2-20.3cm) • Transmitting Frequency:
125kHz • Voltage:
5-12 VDC • Current Requirement:
40 to 120m • Audio Alarm:
4 kHz burst • Cable:
9 conductor stranded with continuous shield for typical installation | <ul style="list-style-type: none"> • Operating Temperatures:
-31* to 150* F (-35* to 65*C) • Operating Humidity:
0-95% non-condensing • Weight:
8 oz. (227g) • Color:
Dark gray (standard) & Beige • Output Format:
Wiegand or RS-232 • Certifications:
Complies with FCC Part 15, designed for UL 294 and CE |
|---|---|

Warranty: Lifetime warranty against defects in material and workmanship when installed according to TAC installation instructions.

See complete warranty statement for further details.

Disclaimer: Specifications subject to change without notice. TAC reserves the right to make changes to improve performance without impacting form, fit or function.

The Multi-Mount Proximity Reader is the first of its kind to offer the flexibility of both mullion and wall mounting in a single cost-effective proximity reader solution. The reader mounts on a standard door mullion but also ships with an attractive adapter plate that allows mounting on a single-gang electrical box.

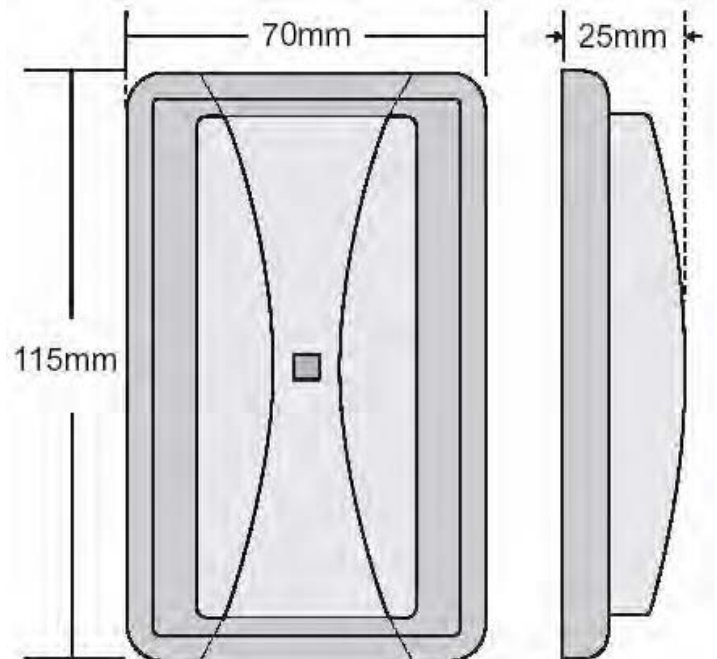
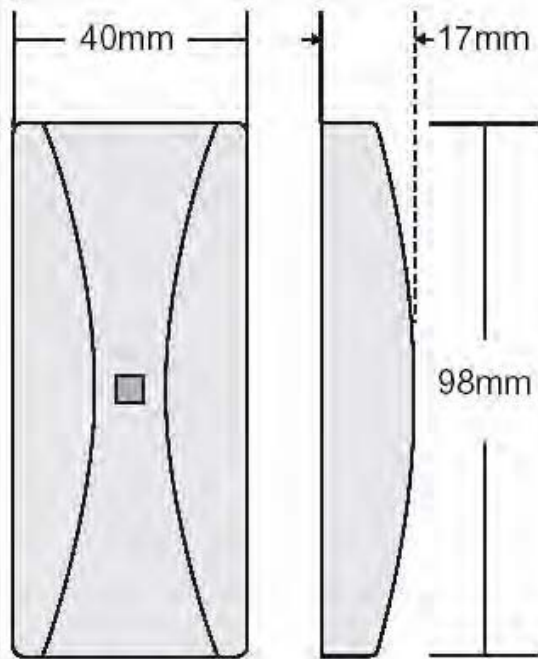
This reader assures compatibility with electronic access control and time & attendance systems by using an industry standard Wiegand interface. It is compatible with HID proximity credentials for seamless replacement or add-ons to existing sites.

The Multi-Mount Proximity Reader is the perfect choice for dealers and distributors wishing to stock a single, multi-mount proximity reader.



Features

- Up to 5" Read Range
- Comes with Wall Adapter Plate
- LED and Beeper
- HID Compatible
- Mullion or Wall Mount
- Sleek and Attractive Design
- Wiegand Output



Specifications

- | | |
|---|--|
| <ul style="list-style-type: none"> • Read Range:
Clamshell Card: up to 5" (152 mm)
Graphic Card: up to 4" (101 mm)
Keytag: up to 3" (76 mm) • Frequency: 125 kHz • Voltage Requirements: +5 to 14VDC • Current Draw: 45 mA typical, 80 mA peak • LED: tri-colour, externally controlled • Beeper standard, externally controlled • Size: 3.2"(w) x 1.2"(h) x 0.7"(d) | <ul style="list-style-type: none"> • Weight: 3 oz (85 g) • Colour: Black • Mounting: mullion or wall (with adapter) • Housing: high impact ABS • Operating Temp.: -40°C to +65°C • Environment: Indoor or Outdoor • Wiegand, Six conductor, 22AWG, stranded, overall shield • Certifications: CE, CSA, FCC |
|---|--|

Warranty: Lifetime warranty against defects in material and workmanship when installed according to Thomas Access Control Systems installation instructions. See complete warranty statement for further details.

Disclaimer: Specifications subject to change without notice. Thomas Access Control Systems reserves the right to make changes to improve performance without impacting form, fit or function.

The Multi-Mount Proximity Reader is the first of its kind to offer the flexibility of both mullion and wall mounting in a single cost-effective proximity reader solution. The reader mounts on a standard door mullion but also ships with an attractive adapter plate that allows mounting on a single-gang electrical box.

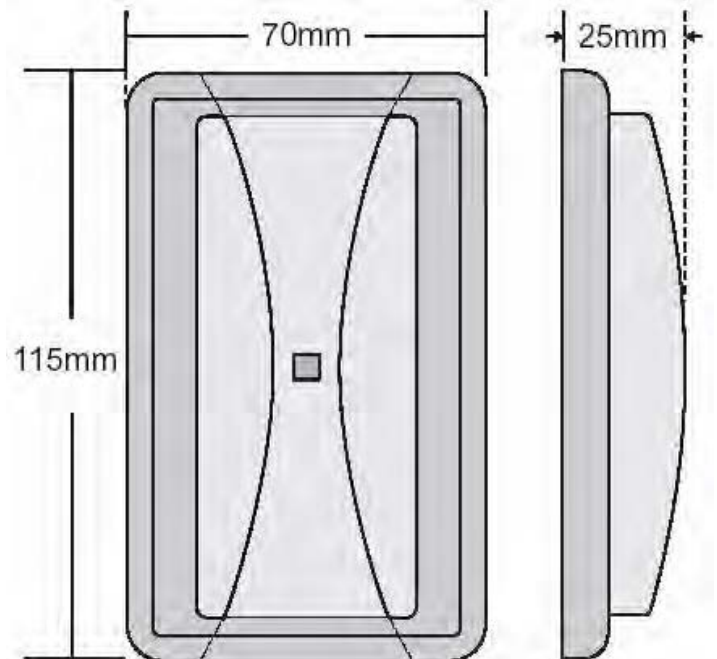
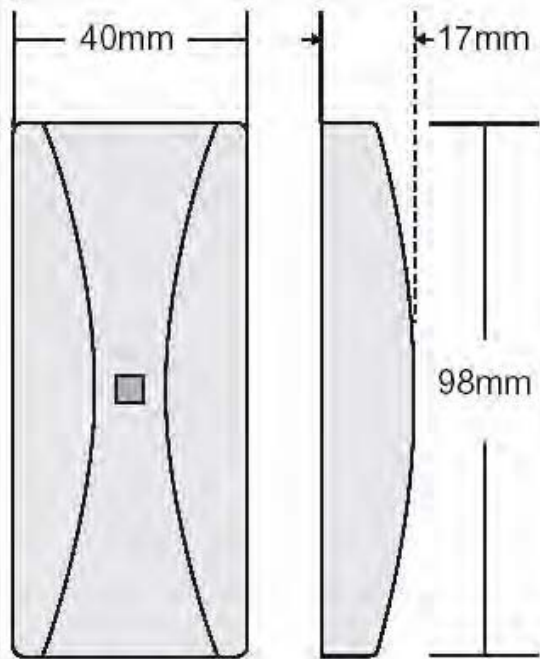
This reader assures compatibility with electronic access control and time & attendance systems by using an industry standard Wiegand interface. It is compatible with both Thomas Access Control and AWID proximity credentials for seamless replacement or add-ons to existing sites.

The Multi-Mount Proximity Reader is the perfect choice for dealers and distributors wishing to stock a single, multi-mount proximity reader.



Features

- Up to 5" Read Range
- Comes with Wall Adapter Plate
- LED and Beeper
- Thomas Access Control & AWID Compatible
- Mullion or Wall Mount
- Sleek and Attractive Design
- Wiegand Output



Specifications

- | | |
|---|--|
| <ul style="list-style-type: none"> • Read Range:
Clamshell Card: up to 5" (152 mm)
Graphic Card: up to 4" (101 mm)
Keytag: up to 3" (76 mm) • Frequency: 125 kHz • Voltage Requirements: +5 to 14VDC • Current Draw: 45 mA typical, 80 mA peak • LED: tri-colour, externally controlled • Beeper standard, externally controlled • Size: 3.2"(w) x 1.2"(h) x 0.7"(d) | <ul style="list-style-type: none"> • Weight: 3 oz (85 g) • Colour: Black • Mounting: mullion or wall (with adapter) • Housing: high impact ABS • Operating Temp.: -40°C to +65°C • Environment: Indoor or Outdoor • Wiegand, Six conductor, 22AWG, stranded, overall shield • Certifications: CE, CSA, FCC |
|---|--|

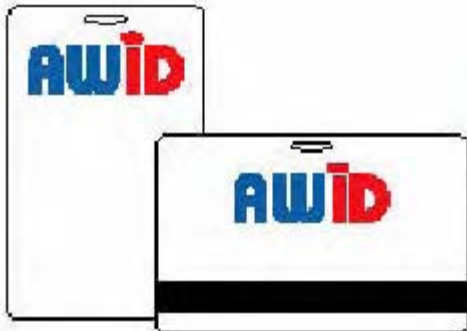
Warranty: Lifetime warranty against defects in material and workmanship when installed according to Thomas Access Control Systems installation instructions. See complete warranty statement for further details.

Disclaimer: Specifications subject to change without notice. Thomas Access Control Systems reserves the right to make changes to improve performance without impacting form, fit or function.

Sentinel-Prox MR



TA-1144 Sentinel-Prox



The TA-1144 Medium Range (MR) reader stands out among its competitors for mid-range proximity readers. The SP-MR is in a class all to itself with an industry best 18-24 inches in a compact 8 x 8 x 1 inch attractive package. No more misreads, fumbling to get the card closer to the reader, the SP-MR reads accurately, at maximum range every time. And, it does so at an unprecedented 600 mA's at 12 VDC. It is designed for indoor or outdoor mounting applications.

The MR reader electronics are potted with UL-approved epoxy to seal them against adverse environmental conditions. It is manufactured in an ISO 9000 certified facility providing for the highest quality (standard.). It is highly reliable, warranted for life and comes in dark gray (standard) and beige colors. The high tech styling of this reader, combined with its superior range, is impressive. It offers Wiegand or RS-232 protocol interface and compatibility with all standard access control systems.

The two-piece construction of the Sentinel-Prox MR makes installation simple and quick. Additionally, two piece construction allows for changing covers to accommodate color changes.

Features

- Read range of 18-24" with 200mA @ 5 VDC or 20-24" with 600mA @ 12 VDC
- Electronics potted with epoxy compound for weather resistance
- LED for visual feedback, Piezo for audio feedback
- Compatible with existing access control systems
- Proximity technology, no contact required
- Industry standard Wiegand or RS-232 data output

Specifications

TA-1144

Read Range:

18-24" (46-61cm)

Transmitting Frequency:

125 kHz

Voltage:

5-12 VDC

Current Requirement:

200 to 600 mA

Audio Alarm:

4 kHz burst

Output Format:

Wiegand or RS-232

Operating Temperatures:

-31* to 150* F (-35* to 65* C)

Operating Humidity:

0-95% non-condensing

Weight:

25 oz. (709g)

Color:

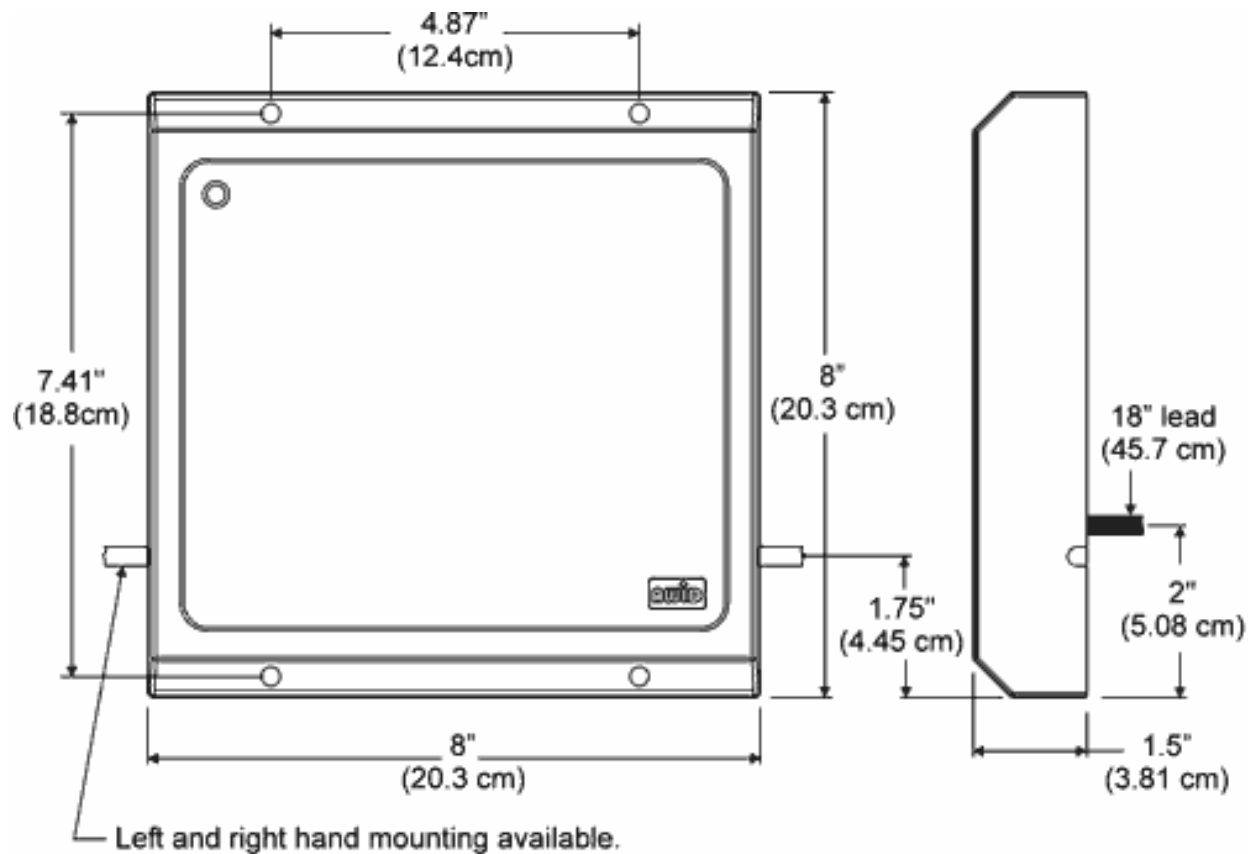
Dark gray (standard) & Beige

Cable:

9 conductor stranded with continuous shield for typical installation

Certifications:

Complies with FCC Part 15, designed for UL 294 and CE

**Warranty:**

Lifetime warranty against defects in material and workmanship when installed according to TAC installation instructions. See complete warranty statement for further details.

Disclaimer:

Specifications subject to change without notice. TAC reserves the right to make changes to improve performance without impacting form, fit or function.



360 Carlingview Dr.
Toronto, Ontario
Canada, M9W 5X9
Tel: (416) 798-0611
Fax: (416) 798-1349
www.kmthomas.com

Distributed by:



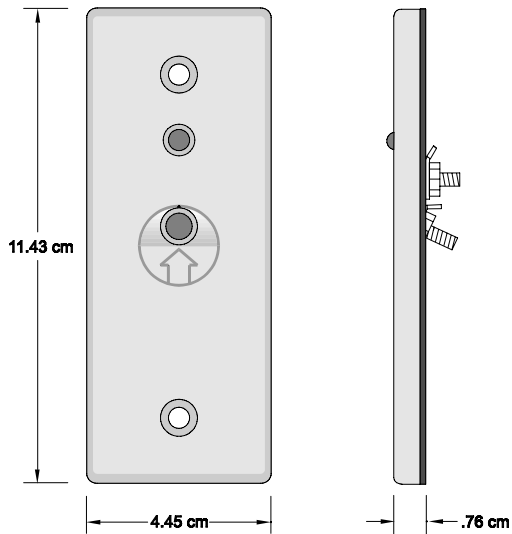
TA-1200 Series HIGH SECURITY i Button™ READER



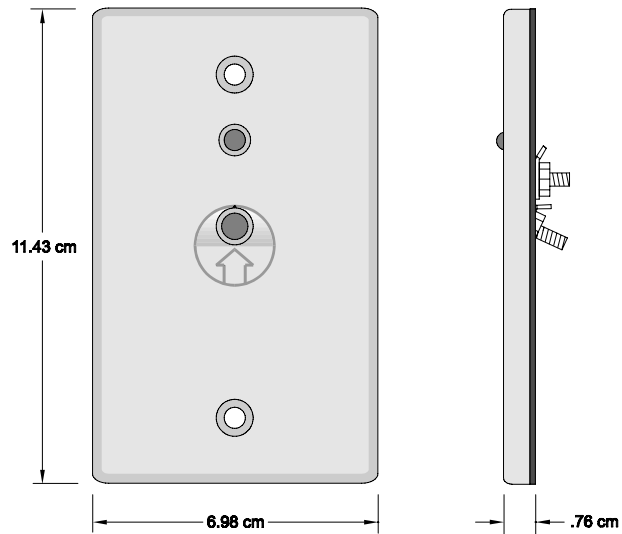
FEATURES

- Unlimited Read Life
- Vandal Resistant
- Brushed Anodized Aluminum Face
- Indoor/Outdoor Use
- Wiegand Output
- Up to 500 Feet from Control Panel
- Built-In Sonalert
- Bi-Color Status LED

HIGH SECURITY iBUTTON READERS



TA-1230 (Mullion Mount)



TA-1210 (Wall Switch Mount)

TA-1200 Series Readers are available as standard 26 bit or 37 bit proprietary Wiegand output for use on TAC's complete line of access control systems. Standard 26 Bit format can be used for connecting to other access control systems.

A Bi-Colour LED and Sonalert provide users with both visual and audible signals of access being granted or denied.

Lasting durability and reliability are provided by solid construction with a 1/4" thick brushed anodized aluminum face plate and a stainless steel read head.

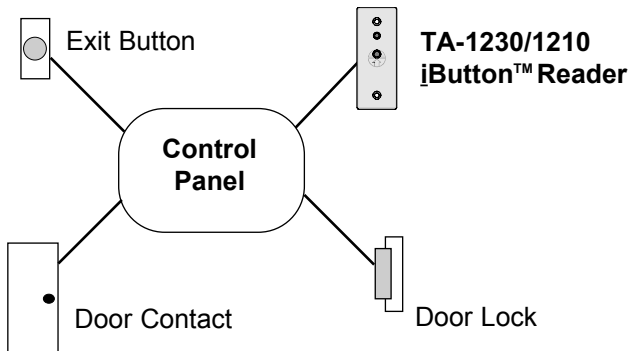
iButton Access Keys

iButton Access Keys consist of a hermetically sealed stainless steel disk, mounted on an anodized aluminum key fob. An iButton Access Key is read at TA-1200 Series reader by simply touching it to the ergonomically designed read head.

Models	Description
TA-1230	Mullion Mount - Wiegand Output
TA-1210	Wall Mount - Wiegand Output

Specifications	TA-1200 Series
Life of Read Head	Unlimited
Read Time	Approx. 250ms
Bi-Color LED	standard
Sonalert	standard
Operating Temp. Environment	-40°C to 70°C (-40°F to 158°F)
Supply Voltage	+12VDC
Supply Current	30mA max.
Back Box	
TA-1230	none
TA-1210	single gang electrical box
Cable Requirements	
Wiegand	22 AWG. 5 to 7 conductor, overall shield, stranded

Typical Door Configuration:



360 Carlingview Dr.
 Toronto, Ontario
 Canada, M9W 5X9
 Tel: (416) 798-0611
 Fax: (416) 798-1349
 www.kmthomas.com

Distributed by:



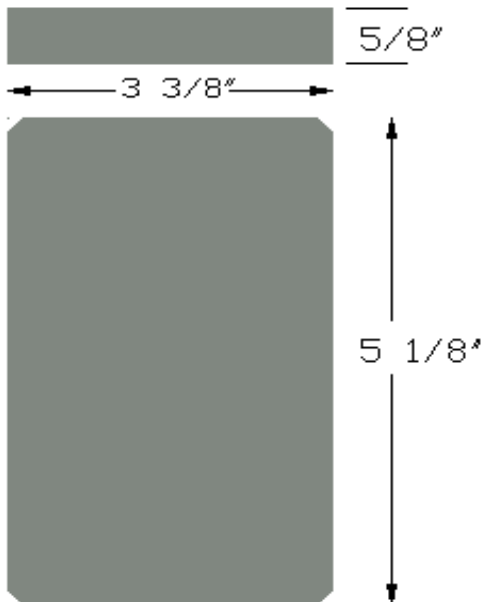
TA-1413-X

ACCESS CONTROL KEYPAD



Vandal resistant, ruggedized construction in an attractive case.

Features: The vandal resistant case of the TA-1413-X is sealed for indoor and outdoor applications. With 2 status LED's, touch sensitive flat keys and no moving parts it is ideal for extreme applications. The controller mounts away from the keypad for added security.



Specifications:

Dimensions: 5 1/8" x 3 3/8" x 5/8"

Environmental: Outdoor or Indoor use.
-20°F to 130°F
-28°C to 54°C

Electrical: 12 / 24 VDC or VAC

Users: 120



360 Carlingview Drive
Toronto, Ontario
M9W 5X9
Ph: 416-798-0611
Fx: 416-798-1349

Distributed By:

The TA-1413-4 keypad from K.M. Thomas uses hardened backlit keys to insure long-term durability and high-quality performance. TA-1413-4 keypads are designed for both indoor and outdoor flush mount applications. The electronics for each keypad are sealed in the manufacturing process in order to provide this level of application flexibility.

The TA-1413-4 can be used either stand-alone or as the front end of an online access control system (when used in Wiegand mode). With the optional 8 relay expansion module the TA-1413-4 provides 10 programmable relays allowing incredible flexibility.



TA-1413-4

Features

- 500 Users
- Backlit hardened keys
- Polycarbonate trim
- Door position input
- Request to exit input
- 2 form SPDT relay outputs
- Optional 8 SPDT relay board
- Built in sounder
- Many user types including Single Use and Dual Code
- 10-13VDC and 12-24VAC operation
- Over/Under-Voltage protection
- Programmable Wiegand formats
- Single gang mounted
- Interior and exterior mountable
- Operating temperature:
-20F (-28C) to 130F (54C)
- Dimensions:
4.5" x 2.75" x 0.60"
- 2 year warranty

TA-8EX (Optional) 8 Relay Expansion Board

Power	- Powered from keypad
Current	- 150 mA @ 12VDC
Contacts	- 1A @30V AC/DC
Dimensions	- 2.5" x 3.5" x .5"
Environment-	Indoor Only
	- 100' from keypad (max)
Cable Type	- 22 AWG Stranded and Shielded



Features:

The model TA-1413 features the most flexibility and options available in a self contained unit. It can perform access control functions and also its four relay outputs can be assigned independently for timed operation or to latch. The TA-1413 can provide individual control of up to four devices and is perfect for controlling electronic locking devices, security systems, CCTV systems, automatic operators or machinery.

The model TA-1413 is designed for security and is perfect for self contained access control applications. It features output relays to release the door lock, shunt an alarm zone, as well as trigger both a propped or forced door alert. The TA-1413 also contains inputs for door monitor and REX.



TA-1413

Specifications:

MECHANICAL:

Dimensions: 4.5" x 2.75" x .6"
114mm x 70mm x 15mm
Case Material: Case-Polycarbonate
Trim-Ring-ABS Chrome Plated
Coating: UV conformal coating

ENVIRONMENTAL:

Operating Environment: Outdoor or Indoor use
Operating Temperature: -20F to 130F
-28C to 54C

ELECTRICAL:

Operating Voltage: 10-30 VDC (12-24VAC)
Current Draw: 65 mA @ 12VDC
84 mA @ 24VDC



360 Carlingview Dr.
Toronto, Ontario
Canada, M9W 5X9
Tel: (416) 798-0611
Fax: (416) 798-1349
www.kmthomas.com

Distributed by:

TA-1413E Series Keypad



TAC keypads offer field proven reliability and cost effective solutions anywhere limited control or access is desired. Elegant yet durable, TAC keypads blend with virtually any décor. Designed for individual control of up to four devices, TAC keypads are the perfect choice for controlling electric locking devices, security systems, automatic operators or machinery. Keypads accept power from any 12-24V AC/DC supply. No separate programmer is ever necessary. Flush mount indoor design with 120 users.



360 Carlingview Dr.
Toronto, Ontario
Canada, M9W 5X9
Tel: (416) 798-0611
Fax: (416) 798-1349
www.kmthomas.com

Distributed by:

Features:

The model **TA-1413-E** features 4 independent outputs, 4 independent timers and one on board 8 Amp SPDT relay. It can store 120 user codes and will unlock door via remote trigger input. All programming is done through the keypad.



TA-1413-E

Specifications:

Mechanical:

Dimensions: 4.5" x 2.75" x .6"
114mm x 70mm x 15mm

Environmental:

Temperature: -28C to 54C (-20F to 130F)

Electrical:

Voltage: 12-24Volts AC/DC (Selected by Jumper)
Current Draw: 54mA max @ 12VDC (w/relay energized and all 3 LED on)
74mA max @ 24VDC (w/relay energized and all 3 LED on)
Onboard Relay: 8A Capacity @ 24VDC (SPDT)
Auxiliary Outputs: 2,3 & 4 are 50mA negative voltage outputs



360 Carlingview Dr.
Toronto, Ontario
Canada, M9W 5X9
Tel: (416) 798-0611
Fax: (416) 798-1349
www.kmthomas.com

Distributed by:

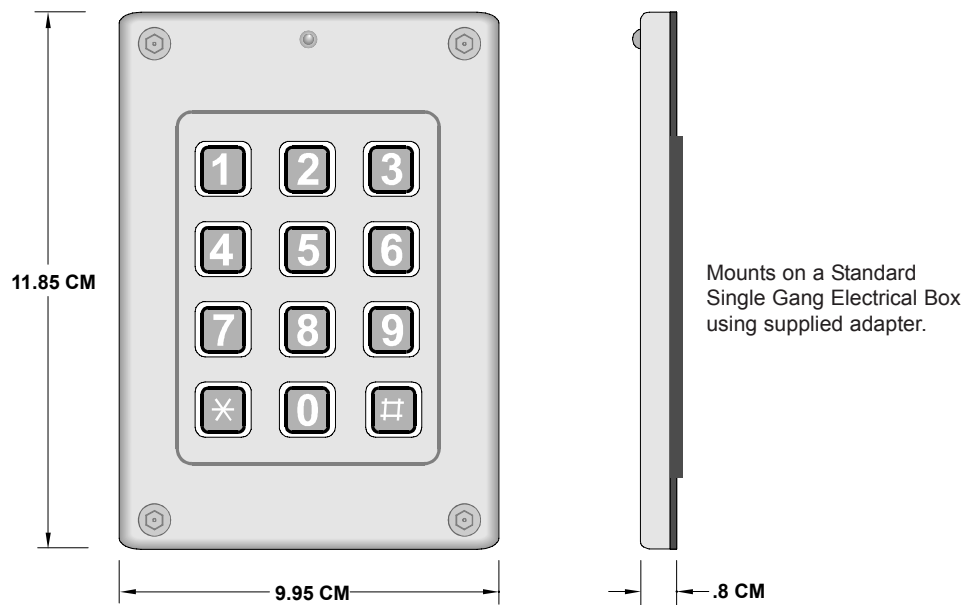


TA-1414-E WIEGAND EMULATING KEYPAD



FEATURES

- Standard Wiegand Output
- Polymer Construction
- Built-In Sonalert
- Indoor/Outdoor use
- Up to 500 Feet from Control Panel
- Bi-Color Status LED



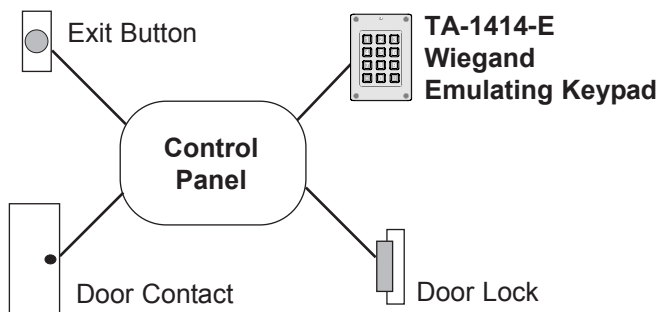
TA-1414-E Keypad Readers are field programmable as standard 26 bit or 37 bit proprietary Wiegand output for use on TAC's complete line of access control systems. Standard 26 Bit format can be used for connecting to other access control systems.

Model	Description
TA-1414-E	Wall Mount - Programmable Wiegand Output

A Bi-Colour LED and Sonalert provide users with both visual and audible signals of "Access Granted" or "Access Denied" conditions.

Specifications	TA-1414-E
Bi-Color LED	standard
Sonalert	standard
Operating Temp.	-40°C to 70°C (-40°F to 158°F)
Environment	Indoor/Outdoor
Supply Voltage	12VDC
Supply Current	30mA max.
Back Box	single gang electrical box
Cable Requirements	22 AWG, 6 conductor, overall shield, standard

Typical Door Configuration:



360 Carlingview Dr.
 Toronto, Ontario
 Canada, M9W 5X9
 Tel: (416) 798-0611
 Fax: (416) 798-1349
 www.kmthomas.com

Distributed by:

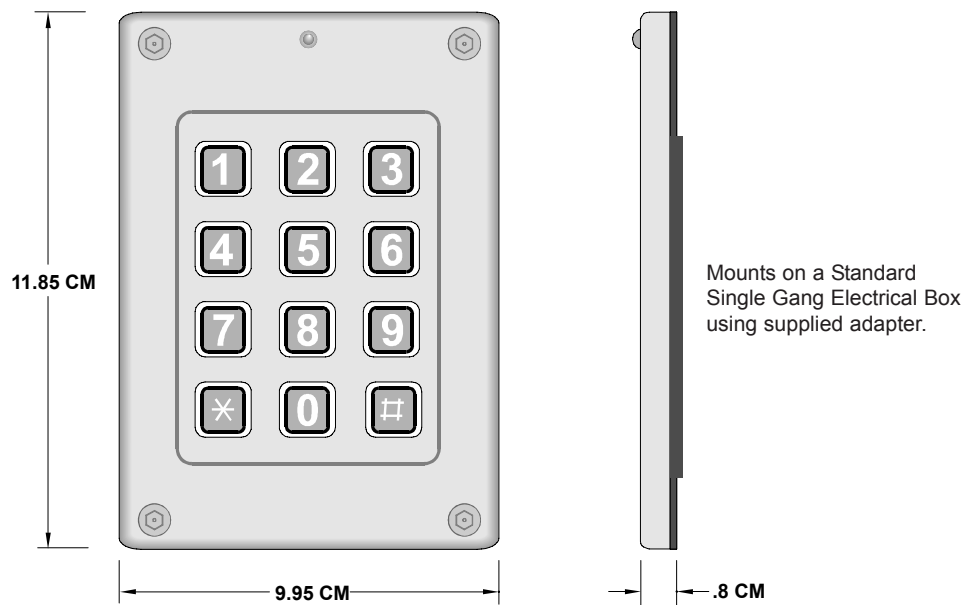


TA-1414 WIEGAND EMULATING KEYPAD



FEATURES

- Standard Wiegand Output
- Stainless Steel Construction
- Built-In Sonalert
- Indoor/Outdoor use
- Up to 500 Feet from Control Panel
- Bi-Color Status LED



TA-1414 Keypad Readers are field programmable as standard 26 bit or 37 bit proprietary Wiegand output for use on TAC's complete line of access control systems. Standard 26 Bit format can be used for connecting to other access control systems.

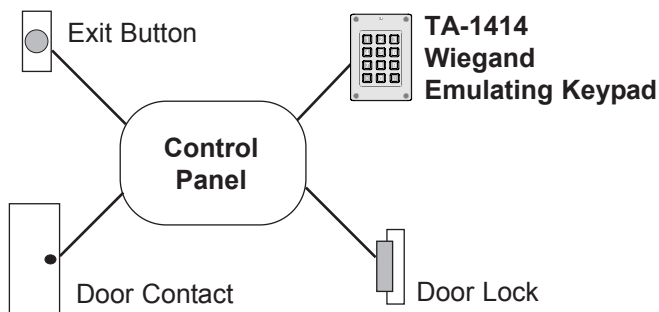
Model	Description
TA-1414	Wall Mount - Programmable Wiegand Output

A Bi-Colour LED and Sonalert provide users with both visual and audible signals of "Access Granted" or "Access Denied" conditions.

Lasting durability and reliability are provided by solid construction with a .8cm thick stainless steel face plate and stainless steel keys.

Specifications	TA-1414
Bi-Color LED	standard
Sonalert	standard
Operating Temp.	-40°C to 70°C (-40°F to 158°F)
Environment	Indoor/Outdoor
Supply Voltage	12VDC
Supply Current	30mA max.
Back Box	single gang electrical box
Cable Requirements	22 AWG, 6 conductor, overall shield, standard

Typical Door Configuration:



360 Carlingview Dr.
 Toronto, Ontario
 Canada, M9W 5X9
 Tel: (416) 798-0611
 Fax: (416) 798-1349
 www.kmthomas.com

Distributed by:

The TA-1415 keypad from K.M. Thomas uses metal Braille, alpha-numeric keys to insure long-term durability and high-quality performance. TA-1415 keypads are designed for both indoor and outdoor flush mount applications. The electronics for each keypad are sealed in the manufacturing process in order to provide this level of application flexibility.

The TA-1415 can be used either stand-alone or as the front end of an online access control system (when used in Wiegand mode). With the optional 8 relay expansion module the TA-1415 provides 10 programmable relays allowing incredible flexibility.

Features

- 500 Users
- Metal Braille, Alpha-numeric keys
- Brushed metal trim
- Door position input
- Request to exit input
- 2 form SPDT relay outputs
- Optional 8 SPDT relay board
- Built in sounder
- Many user types including Single Use and Dual Code
- 10-13VDC and 12-24VAC operation
- Over/Under-Voltage protection
- Programmable Wiegand formats
- Single gang mounted
- Interior and exterior mountable
- Operating temperature:
-20F (-28C) to 130F (54C)
- Dimensions:
4.5" x 2.75" x 0.60"
- 2 year warranty



TA-1415

TA-8EX (Optional) 8 Relay Expansion Board

- Power - Powered from keypad
- Current - 150 mA @ 12VDC
- Contacts - 1A @30V AC/DC
- Dimensions - 2.5" x 3.5" x .5"
- Environment- Indoor Only
- 100' from keypad (max)
- Cable Type - 22 AWG Stranded and Shielded



Mullion Mounted Keypad - Onboard Control



TA-1433-AL
Aluminum Finish
Mullion Keypad



TA-1433-BZ
Bronze Finish
Mullion Keypad

These keypads are elegantly designed, with backlit keys suitable for indoor and outdoor applications. Each keypad demonstrates superior durability in any environment. The TA-1433 keypads mount directly to mullion doorframes or any flat surface. No backbox required. In addition, for convenient installation the TA-1433 keypads feature a separate doorbell key and relay. Durability, ease of installation, and attractive design make the TA-1433 a solid addition to any TAC installation.



360 Carlingview Dr.
Toronto, Ontario
Canada, M9W 5X9
Tel: (416) 798-0611
Fax: (416) 798-1349
www.kmthomas.com

Distributed by:

Mullion Mounted Keypad - Onboard Control

TA-1433

Features:

- Encapsulated Electronics
- Backlit Illuminated Hardened Keys
- Doorbell Key
- Operates on AC & DC Power
- 120 Users

Benefits:

- Durable in any environment
- Keys easy to see in poorly lit environment
- Doorbell key included for easy installation
- Easy to add to an existing strike or Mag-lock
- Programmable 00-99 second relay activation time

TA-1433 Keypad Specifications:

- **Users:** 120
- **Inputs:** One request-to-exit
- **Operating voltage:** 12 to 24 Volts AC or DC (self-regulating)
- **Size:** 1.71" x 6.48" x 1.125"
- **Relays:** 1x SPDT 5 Amp
- **Duty Cycle:** Medium

Applications:

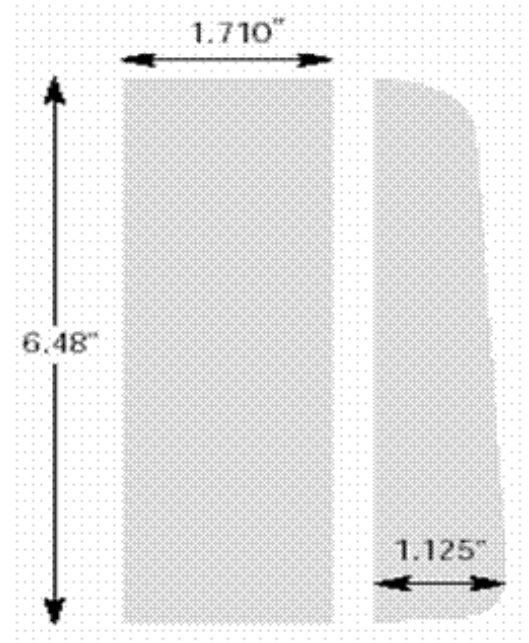
Industrial, Commercial, Residential

Available Models:

Part # TA-1433-AL (Aluminum Finish)

Part # TA-1433-BZ (Bronze Finish)

*Both Mullion enclosures are certified by Builders Hardware Manufacturers Association, Inc. (BHMA)



360 Carlingview Dr.
Toronto, Ontario
Canada, M9W 5X9
Tel: (416) 798-0611
Fax: (416) 798-1349
www.kmthomas.com

Distributed by:

Mullion Mounted Wiegand Keypad - For use with Smartlock Plus or Smartlock Online



TA-1434-AL
Aluminum Finish
Mullion Keypad



TA-1434-BZ
Bronze Finish
Mullion Keypad

TA-1434 keypads can be used with either the TA-2443 or TA-2454 Wiegand access controllers. These keypads are elegantly designed, with backlit keys suitable for indoor and outdoor applications. Each keypad demonstrates superior durability in any environment. The TA-1434 keypads mount directly to mullion doorframes or any flat surface. No backbox required. In addition, for convenient installation the TA-1434 keypads feature a separate doorbell key and relay. Durability, ease of installation, and attractive design make the TA-1434 a solid addition to any TAC installation.



360 Carlingview Dr.
Toronto, Ontario
Canada, M9W 5X9
Tel: (416) 798-0611
Fax: (416) 798-1349
www.kmthomas.com

Distributed by:

Mullion Mounted Wiegand Keypad - For use with Smartlock Plus or Smartlock Online

TA-1434

Features:

- Encapsulated Electronics
- Backlit Illuminated Hardened Keys
- Doorbell Key

Benefits:

- Durable in any environment
- Keys easy to see in poorly lit environment
- Doorbell key included for easy installation

TA-1434 Keypad Specifications:

- Wiegand Emulating
- Current Draw 68mA max
- **Operating voltage:** 12 Volts DC only
- **Size:** 1.71" x 6.48" x 1.125"
- **Relays:** 1 x (Form A) 1A/.5A @ 30V/125V
- - 20 degrees F to 130 degrees F

Applications:

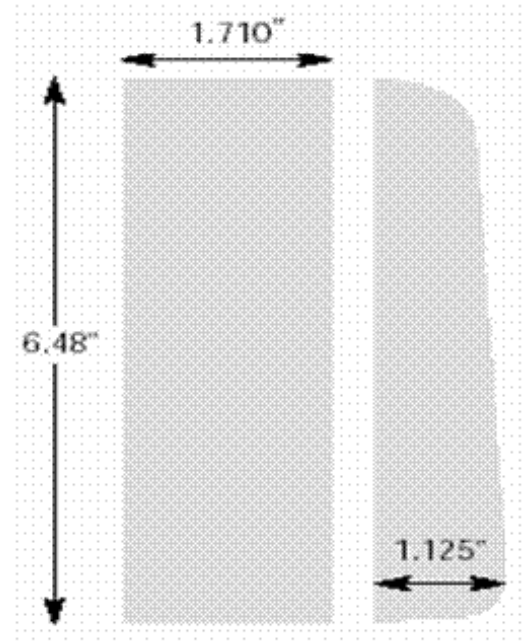
Industrial, Commercial, Residential

Available Models:

Part # TA-1434-AL (Aluminum Finish)

Part # TA-1434-BZ (Bronze Finish)

*Both Mullion enclosures are certified by Builders Hardware Manufacturers Association, Inc. (BHMA)



360 Carlingview Dr.
Toronto, Ontario
Canada, M9W 5X9
Tel: (416) 798-0611
Fax: (416) 798-1349
www.kmthomas.com

Distributed by:

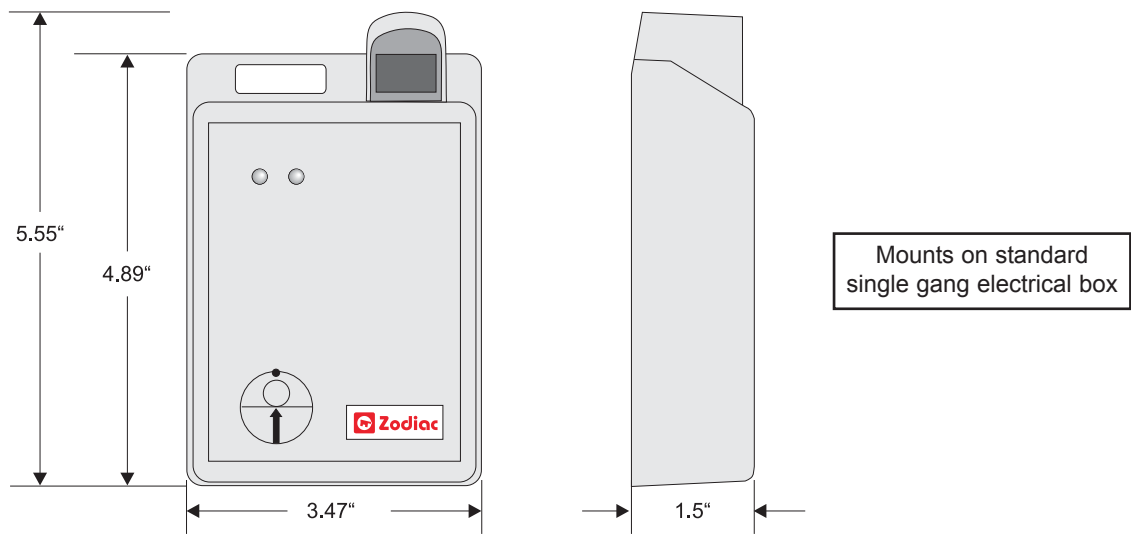


Zodiac Lite STAND-ALONE FINGERPRINT READER FOR 90 USERS



FEATURES

- Stand-alone fingerprint reader for 90 users
- No PC or software required
- Programmed using battery operated, hand-held programmer
- Comes with separate Door Control Module to control lock or other device
- Optional door controller with audit capability



Introduction.....

The Zodiac Lite Fingerprint Reader is a cost-effective biometric solution for single door/device applications for up to 90 users. The Zodiac Lite Kit comes with a single reader, door control module, and hand-held programmer. No cards, PC, or software are required.

Programming is easy.....

All programming and enrollment functions are performed at the Zodiac Reader using the supplied Hand-Held Programmer. The programmer is equipped with two rotary switches numbered from 0 to 9, as well as ADD, DELETE, and ON/OFF buttons.

To place Zodiac into Program Mode, simply set both switches to "0" and apply the probe on the programmer to the programming port of the Zodiac reader. Then select one of the memory locations using the rotary switches on the programmer. Press the ADD button to enroll the user or DELETE button to remove the user's template from the reader.

Using Zodiac is easier ..

Because Zodiac Lite is performing 1:90 matching, no card or keypad entry is required. The Zodiac scanner continuously looks for fingers to authenticate. The user simply places their finger on the scanner for quick access to the door or device being controlled.

No prints ... No problem

It is a fact that a very small percentage of people cannot be enrolled due to injury or unreadable fingerprints. In this circumstance, a Zodiac Bypass Key can be programmed and issued. Users presenting a Bypass Key will not be required to scan their finger. Each system comes with 5 Bypass Keys.

Optional SmartLock door controller ...

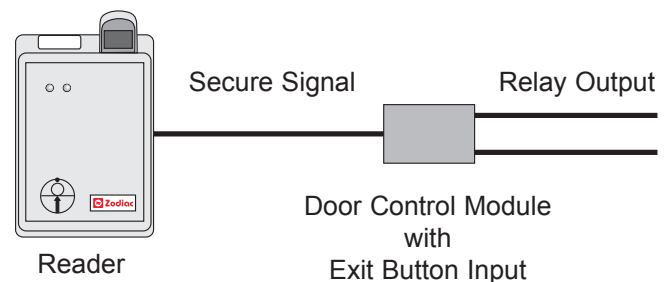
For clients requiring historical audit data, Zodiac Lite can be used with the SmartLock Online door controller which stores up to 1000 time & date stamped transactions in memory.

Other applications ...

Zodiac Lite can be used for many other applications besides traditional door access control. The supplied Door Control Module can be used to enable or unlock other devices such as lockers, safes, and many other types of equipment. The applications are only limited by your imagination.

Specifications	Zodiac Lite Fingerprint Reader
LEDs:	2 x bi-colour, 1 externally controlled
Beeper:	Standard
Size:	3 1/4" (w) x 4 3/4" (h) x 1 1/2" (d)
Weight:	10 oz.
Mounting:	Standard single gang electrical box
Housing:	High impact polycarbonate (Lexan)
Operating Temp:	-15°C to 40°C
Environment:	Indoor/Outdoor with Zodiac enclosure
Power Supply:	12VDC, 200 mA
Sensor:	
Manufacturer:	SecuGen
Type:	Optical
Verification:	Authentication < 1 second
User Templates:	90
Programmer:	9V battery operated
Door Control Module:	Dry contact output, 30VDC @ 2A max. exit button input, dry contact N/O
Warranty:	One year

Typical Zodiac Lite Configuration:



360 Carlingview Dr.
 Toronto, Ontario
 Canada, M9W 5X9
 Tel: (416) 798-0611
 Fax: (416) 798-1349
 www.kmthomas.com

Distributed by: